

WARNING



***Buyer/User Assumes All
Responsibility For Safety And
Proper Use Not In Accordance With
The Directions And Safety Labels.***

P.O. Box 1210, Camarillo, CA 93011-1210 | www.ViaAquaOceanpure.com



WARNING!

Buyer/user assumes all responsibility for safety and proper use not in accordance with the directions and safety labels.



ViaAqua **IN-SUMP
SKIMMER 2**

- **COMPLETE PROTEIN SKIMMER FOR SALT WATER AND REEF AQUARIUMS**
- **EXCLUSIVE FORCE THROUGH U/D MIXING TOWER (14" UP, 14" DOWN)**



AVAILABLE MODEL: SK-200NW & SK-388NW



FEATURES

- **COMPLETE PROTEIN SKIMMER FOR SALT WATER AND REEF AQUARIUMS**
- **EXCLUSIVE FORCE THROUGH U/D MIXING TOWER (14" UP, 14" DOWN)**
 - **Needle Wheel Impeller with Intake Venturi**
 - **No Extra Plumbing Parts Required**
 - **Replacement Discharge Sponge**
 - **Easy to Regulate**
 - **Easy to Install and Maintain**
 - **Compact and Efficient Design**
 - **Ready to Run Out of The Box**

ViaAqua® In-Sump Skimmer 2™ incorporates needle wheel technology with an exclusive U/D force through mixing tower for added contact time. The needle wheel and venturi intake tube create micro bubbles, which provide a tremendous amount of surface area to attract organics. The U/D mixing tower adds an additional 28" of contact time (14" up, 14" down). This contact time allows more time for organics to adhere to the surface of the micro bubbles. This unique feature provides the contact time of skimmers twice as large. Designed to be easy to set up and easy to regulate. Each unit comes with water level control and air volume control to ensure the ability to precisely tune the skimmer for maximum efficiency for any aquatic environment. The combination of design and engineering has created one of most efficient and affordable protein skimmers in the aquarium hobby.

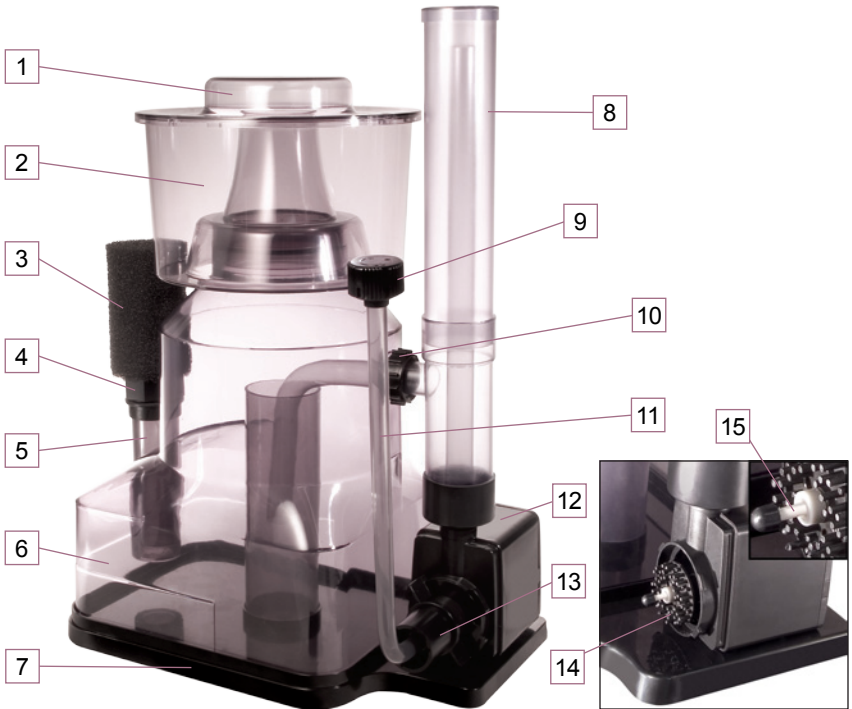
SPECIFICATION

Model	Dimension in inches	Aquarium Size	UPC # 0069037
SK-200NW	13 L x 8.5 W x 16 H	150 Gal.	2972 7
SK-388NW	14.5 L x 8.8 W x 18.1 H	250 Gal.	2973 4

Model	Voltage	Frequency	Wattage
SK-200NW	110v –120v	60Hz	37 Watts
SK-388NW	110v –120v	60Hz	47 Watts

PART LIST

- 1. Collection Cup Lid
- 2. Collection Cup
- 3. Discharge Sponge
- 4. Discharge Compression Nut
- 5. Variable Discharge Tube
- 6. Main Body
- 7. Base
- 8. Force Through U/D Mixing Tower
- 9. Air Control Valve
- 10. Intake Compression Nut
- 11. Venturi Intake Tube
- 12. Pump
- 13. Venturi Tubing Adapter
- 14. Needle Wheel Impeller
- 15. Ceramic Shaft



WARNING AND SAFEGUARDS

Before installation of the ViaAqua® In-Sump Skimmer 2™ read and follow these important safeguards and safety guidelines.

This product may contain chemicals known to the state of California to cause cancer and or birth defects or other reproductive harm. Wash your hand after handling this product.

- Do not operate ViaAqua® pump without it being fully submersed at all times. Failure to do so will cause permanent damage to the pump.
- Prior to maintenance on any electrical aquarium device or maintenance to the aquarium, you must disconnect/unplug all electrical aquarium devices.
- Routine maintenance is required to ensure the maximum performance and longevity of the ViaAqua® pump. See maintenance.

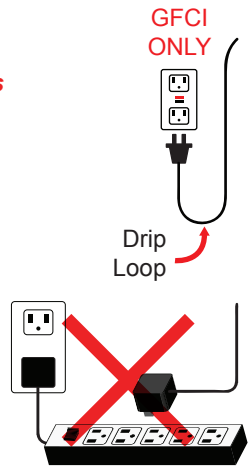
This product may contain chemicals known to the state of California to cause cancer and or birth defects or other reproductive harm. Wash your hand after handling this product.

It is your sole responsibilities to verify that the plug and the receptacle are clean and free of moisture and salt build up at all times. The receptacle must be free of water, salt, calcium, magnesium and dust. Failure to do so can cause fire, damage to property, permanent damage to the product and personal injury not limited to loss of life.

Do not plug into extension cord/power strip.

A drip loop must be used when plugging all electrical aquarium devices. A drip loop is that part of the cord hanging below the receptacle.

The national code requires that a GFCI (Ground fault circuit interrupter) be used in the branch circuit supplying all power to water pumps and electrical aquarium equipment. If you do not have a GFCI, have an electrician install one prior to operating any aquarium component.



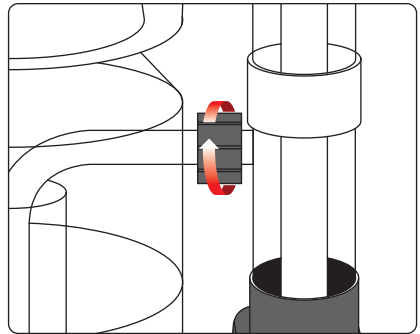
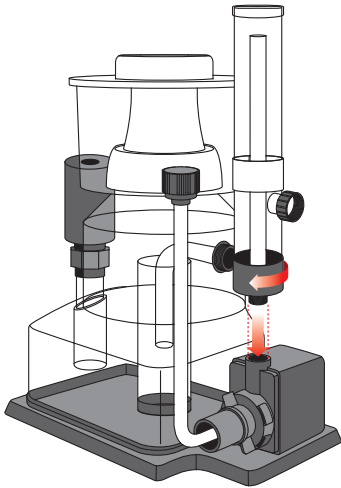
DIRECTION FOR INSTALLAION

Note: A constant water level in the sump is needed to ensure the optimum performance of any skimmer. To do this consult with your local dealer for the properly designed sump or install a float valve.

1. Attach the U/D mixing tower.

- Thread the U/D mixing tower to the pump.
- Adjust the U/D mixing tower until the compression fitting aligns with intake of the skimmer.
- Secure the intake compression nut to the intake of the skimmer.

2. Remove the collection cup and wash well with a mild detergent and rinse with hot water. Be sure all of the detergent is removed from the collection cup.



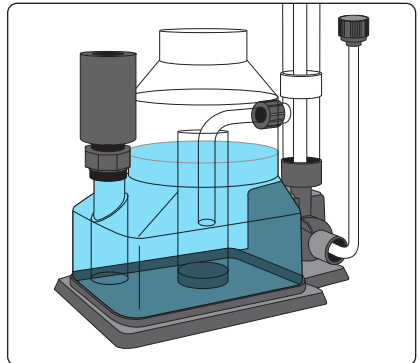
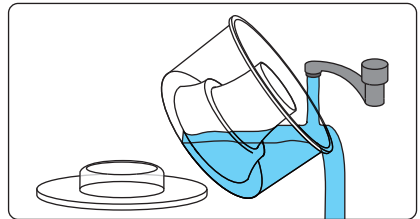
3. Fill the skimmer halfway with saltwater and place in the sump.

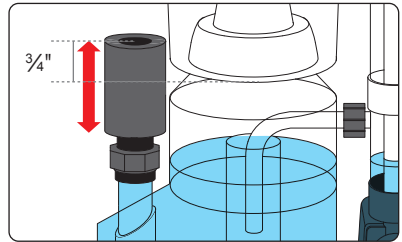
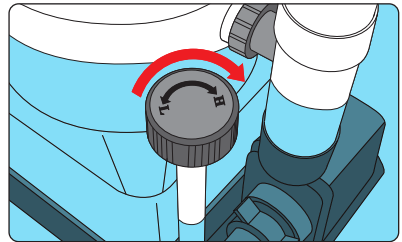
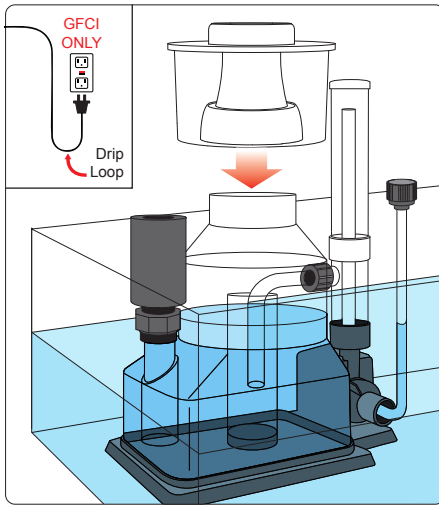
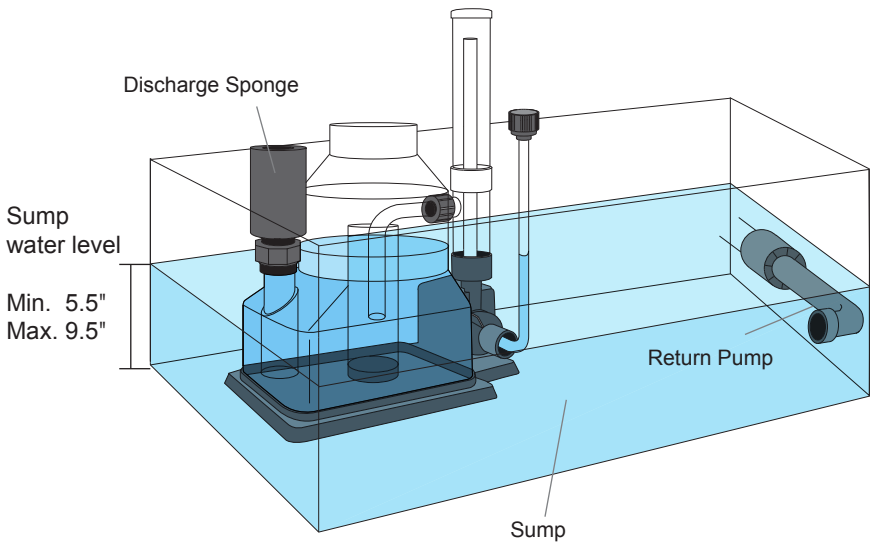
- The discharge sponge of the skimmer should be placed the farthest from the return pump.
- Sumps minimum water level is 5.5" and maximum water level is 9.5".

4. Plug the pump into a GFCI electrical outlet.

5. Place the collection cup on the skimmer.

6. Open the air control valve 75% and adjust the variable discharge tube to 3/4" higher than the bottom of the collection cup.





7. Let it operate for a minimum of 1 hour before doing any other adjustments to the skimmer.
8. The skimmer will be either skimming properly or collecting water and/or no protein or not skimming and not collecting any protein. If the skimmer is not working properly, follow the instructions depending on the specific situation. (see page 6)

Note: The skimmer will not work without a biological load. Increasing air volume will decrease water flow, decreasing air volume will increase water flow.

COLLECTING WATER AND NO PROTEIN

1. Lower the variable discharge tube in $\frac{1}{2}$ " increments until the bubbles stop overflowing into the collection cup and the unit begins to skim. Loosen the discharge compression nut and lower variable discharge tube. Tighten discharge compression nut to set.
2. If the variable discharge tube is as low as possible and water is still collecting in the cup, then start to increase the volume of air by turning the air control valve towards the H by a $\frac{1}{8}$ of a turn until the unit begins to skim. By increasing the air volume it will decrease the water level and speed of the water entering and exiting the skimmer.

Note:

- **Set salinity at 10.0022-10.0025.**
- ***The use of certain water conditioners will cause excess bubbles and the skimmer to collect excessive water. This will occur until the water conditioner is completely removed. Certain water conditioners that increase slime coat are more prone to affect to the skimmer.***
- ***The use of medications will cause excess bubbles and the skimmer to collect excessive water. This will occur until the medication in the water is completely removed.***
- ***if the water level in the sump is too high that above 5.5"-9.5", It will cause the skimmer to collect excessive water.***

NOT SKIMMING AND NOT COLLECTING ANY PROTEIN

1. Decrease air volume by turning the air control valve towards the L by a $\frac{1}{8}$ of a turn until the unit begins to skim.
2. Raise the variable discharge tube in $\frac{1}{2}$ " increments until the bubbles reach halfway up the neck of the collection cup. Loosen the discharge compression nut and raise the variable discharge tube. Tighten discharge compression nut to set. Wait a short period of time and if skimming does not begin, raise the variable discharge tube a small amount (approximately $\frac{1}{8}$ "). Continue to raise the variable discharge tube until the unit begins to skim.

Note:

- **Set the salinity at 10.0022-10.0025.**
- ***There must be a biological load. In short there must be livestock in the aquarium.***
- ***The collection cup has not been washed with a mild detergent.***
- ***Water level in the sump is too low, around 5.5"-9.5".***

MAINTENANCE

VIAAQUA® WATER PUMP AND VENTURI

1. Disconnect the pump from the electrical outlet.
2. Remove the skimmer from the sump.
3. Remove all the water from the skimmer's main body.
4. Remove the venturi intake tube and air control valve. This will run water through the unit so that water runs through air control valve remove all salt deposits.
5. Remove the impeller well cover.
6. Remove the impeller and the shaft, clean well. A small amount of vinegar should be used to clean the ceramic shaft. Soak shaft in a 1 part vinegar to 3 parts water solution for 30 minutes.
7. Clean the inside of the impeller well with a small brush.
8. Reassemble and install the unit back into the sump.

DISCHARGE SPONGE

- If sponge clogs, the water level in the skimmer will increase and cause the skimmer to collect wetter foam/water in the collection cup. In a new tank it may be necessary to clean the sponge every week.
Replace sponge as needed.

COLLECTION CUP

- Clean as often as needed. At times the collection cup may have to be cleaned everyday. Keeping the collection cup clean ensures a properly operating skimmer.

MAIN BODY

1. Disconnect the pump from the electrical outlet.
2. Remove the skimmer from the sump.
3. Remove all the water from the skimmer body.
4. Disconnect the U/D mixing chamber.
5. Remove the pump from the skimmer body.
6. Fill unit with water and add a small amount of bleach.
Approximately one capful.
7. Let stand for one hour.
8. Rinse unit well and refill with fresh water.
9. Add a water conditioner that removes chlorine to the water and let stand for one hour.
10. Rinse well, reassemble and install.

REPLACEMENT PARTS

Part Number	Description	For In-Sump Skimmer	UPC # 0069037
3	Discharge sponge	SK-200NW SK-388NW	2985 7
14	VA 2300 needle wheel impeller assembly	SK-200NW	2981 9
14	VA 2600 needle wheel impeller assembly	SK-388NW	2982 6
15	VA 2300 needle wheel impeller shaft	SK-200NW	2983 3
15	VA 2600 needle wheel impeller shaft	SK-388NW	2984 0

TECHNICAL SERVICE DEPARTMENT

**Monday to Friday 9 am - 5 pm PST
(805) 383-3566 ext. 102
e-mail: info@commodityaxis.com**

LIMITED WARRANTY

Commodity Axis, Inc.® warrants that the ViaAqua® In-Sump Skimmer2™ is free from defects for a period of one year from the initial date of purchase shown on the original cash register receipt. Commodity Axis, Inc.® disclaims all other warranties, express or implied, including but not limited to any implied warranties of merchantability and/or fitness for a particular purpose. Although this limited warranty gives you specific rights, you may have other rights which vary from state to state. This warranty is void if the failure is due to misuse, tampering, negligence, abuse, accident and/or submersion, a failure to properly install, maintain, clean, prefilter, reassemble, and/or failure to use the ViaAqua® In-Sump Skimmer2™ with a Ground Fault Circuit Interrupter (GFCI).

CONSUMER REMEDIES

Commodity Axis, Inc.®'s entire liability and your sole and exclusive remedy shall be either repair or replacement of the ViaAqua® In-Sump Skimmer 2™ only if you return the defective unit directly to Commodity Axis, Inc.® with the original receipt in its original box along with twenty five dollars (\$25.00) for shipping and handling. Do not send the ViaAqua® In-Sump Skimmer 2™ by insured mail. You may send your returns or replacements by UPS if requiring a signature upon arrival. Any replaced unit will be warranted for the remaining time of the original warranty period. In no event shall any shipping charges be reimbursed. In no event will Commodity Axis, Inc.® be liable for any consequential or incidental damages, including but not limited to, lost of sea life, personal injury, property damage, equipment damage, lost profits, lost wages, lost savings, lost income, etc., arising out of the use of the ViaAqua® In-Sump Skimmer 2™. Some states do not allow for the limitation or exclusion of liability for incidental or consequential damages, so the above exclusion may not apply to you.

RETURNS

Please contact our service center at (888) 838-3882 or fax (888) 989-0878 to arrange repair and/or replacement. Please allow 4-6 weeks for all returns. Commodity Axis, Inc.® cannot ship nor respond to a P.O. Box address.

WARRANTY CARD

Please mail warranty card and PROOF OF PURCHASE within 15 days of purchase to:
Commodity Axis, Inc., P.O. Box 1210, Camarillo, CA 93011-1210.

Model #:

Customer's Name:

Date of Purchase:

Address:

Dealer Name:

Phone #:





P.O. Box 1210,
Camarillo, CA 93011-1210
www.CommodityAxis.com
www.ViaAquaOceanpure.com

Commodity Axis, Inc.[®] is also a manufacture of
ViaAqua[®] Acro-Cal[™] Reactor, ViaAqua[®] Poly Reactor[™],
ViaAqua[®] Oceanpure[™] Salt, ViaAqua[®] Glass Heater, ViaAqua[®] Titanium Heater,
ViaAqua[®] MillionAir[™] Air Pump, ViaAqua[®] Water Pumps, ViaAqua[®] Glass Aquariums
and Helios[®] Lighting Systems.

© 2009 Commodity Axis, Inc.[®]
Specifications are subject to change without notice